



简介

PNV4系列气动管路针形阀设计应用于公称压力PN1.0MPa的各种小型化的气动管路系统，阀体采用铜材质，阀盖与阀体采用整体式结构，结构精巧，外形美观，性能可靠。

Introduction

PNV4 series pneumatic needle valves are designed for use on all the small-sized pneumatic tubing systems under PN1.0MPa. The valve body is made of brass. The bonnet and valve body are manufactured by integral type with characteristics of ingenious structure, beautiful appearance and reliable performance.

特点

- 阀体特性：
黄铜整体锻造阀体，结构精巧
- 配用气源管：
铜管，尼龙管，PU管，PVC管，PE管等
- 填料：O形圈（CR，FKM）
- 阀体型式有直通、角式可供选择
- 阀门有盘装式可供选择
- 连接型式多样
- 100%工厂气密封试验

Features

- Characteristics: The valve body is ingeniously structured due to its integral forging process by brass.
- Pipe of air supply: copper, nylon, PU, PVC, PE tube
- Packing: O-Ring (CR, FKM)
- Straight and angle pattern for choice
- Panel mounting available
- Various connection
- 100% factory tested

技术规范

- 最大工作压力: PN1.0MPa
- 公称通径: 4 mm
- 许用温度范围:
NBR: -40~120℃; FKM: -40~232℃
- 接口型式和尺寸:
NV系列阀门接口型式多种多样, 可根据用户需要灵活配置。常用接口如下:

◎ 铜管及尼龙管:

采用铜密封圈压环式 6, 8, 10 mm;

◎ PU, PVC, PE软管:

采用内螺纹配装快插接头或HYG4塑料管接头 6, 8, 10 mm;

◎ NPT外螺纹 (N): NPT1/8", NPT1/4"

◎ NPT内螺纹 (FN): FNPT1/8", FNPT1/4",

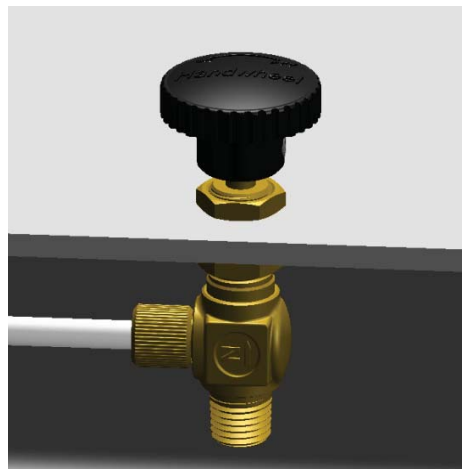
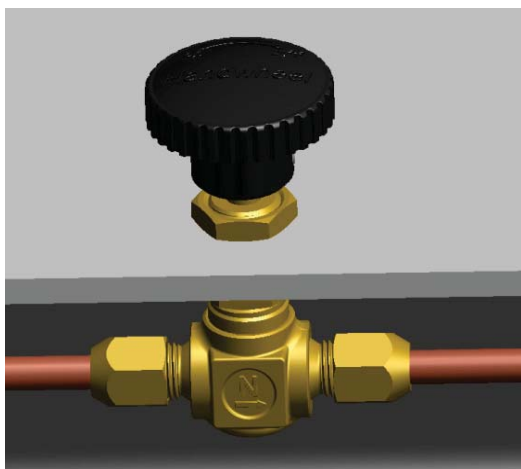
◎ BSPT外螺纹 (R): R1/8", R1/4"

◎ BSPP内螺纹 (Rp): Rp1/8", Rp1/4"

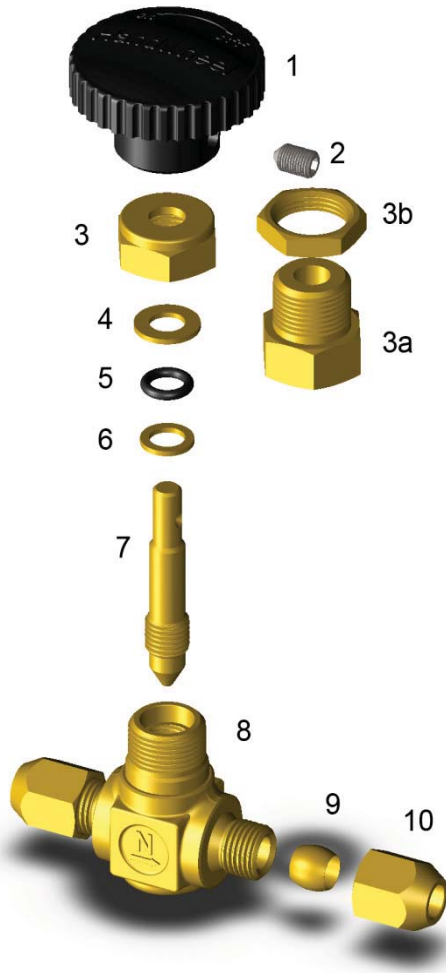
Specification

- Maximum working pressures: 1.0MPa
- DN: 4 mm
- Applicable Tem.:
NBR: -40~120℃; FKM: -40~232℃
- Type and size of the interface
The interface types of this NV series valve are various and can be disposed flexibly according to customers' requirement. The common interfaces as follows:
◎ Copper or nylon tube:
Compression type with copper sealed ring: 6, 8, 10mm
◎ PU, PVC, PE hose:
We adopt female thread with rapid fitting or HYG4 plastic tube fitting of 6, 8, 10 mm;
◎ Male NPT: NPT1/8", NPT1/4"
◎ Female NPT: FNPT1/8", FNPT1/4"
◎ Male BSPT: R1/8", R1/4"
◎ Female BSPT: Rp1/8", Rp1/4"

面板安装示意 Instruction for Panel mounting



结构材料 Materials of Construction



序号 No	零件名称 Components	材料 Material
1	手轮 Hand wheel	酚醛塑料 Phenolic plastic
2	紧定螺钉 Set screw	201SS
3	压盖螺母 Packing nut	H59-1
3a	压盖螺母 Packing nut	H59-1
3b	面板薄螺母 Thin nut	H59-1
4	压垫 Seat	H59-1
5	O形圈 Ring	O- CR, FKM
6	垫片 Washer	H59-1
7	阀杆 Stem	H59-1
8	阀体 Body	H59-1
9	铜密封圈 Copper sealed ring	H59-1
10	螺母 Nut	H59-1

注：表中结构材料为我公司典型配置，根据介质及温度状况可能有变动，也可按顾客要求制造。

Note: The material in the sheet is used on manufacturing the common product in our company. We can manufacture as the customer's requirements according to the change of the medium and temperature condition.

PNV系列气动管路针形阀

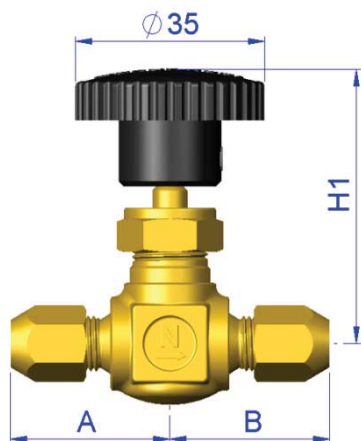
PNV Series Pneumatic Needle Valves

江花®
JIANGHUA

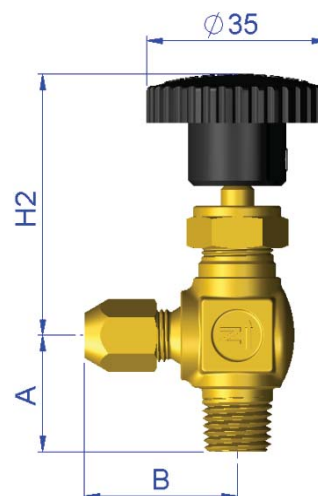
尺寸(铜管、尼龙管) Dimensions(copper and nylon tube)

尺寸仅供参考, 可能变动。

Dimensions are for reference only and are subject to change.



直通阀 PNV4-CO6 Straight pattern



角式阀 PNV4A-N1/4-CO6 Angle pattern

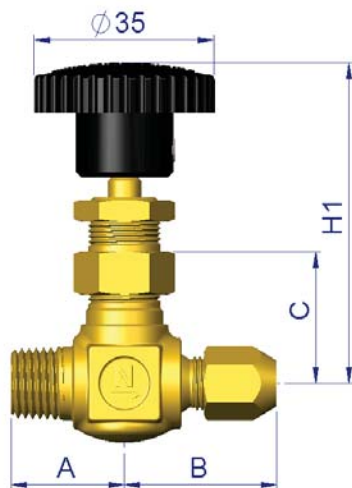
规格尺寸表 Table of model and dimensions

基本型号 Basic Model		接口型式/尺寸 Connection type/size		尺寸 size (mm)			
直型 Straight	角式 Angle	进口 Inlet	出口 Outlet	A	B	H1	H2
PNV4-CO6	PNV4A-CO6	压环式 6mm Compression type		29.5	29.5	Min:49.6 Max:55	Min:49.6 Max: 58.2
PNV4-CO8	PNV4A-CO8	压环式 8mm Compression type		29.5	29.5		
PNV4-CO10	PNV4A-CO10	压环式 10mm Compression type		31.2	31.2		
PNV4-N1/8	PNV4A-N1/8	外螺纹 NPT1/8	Male NPT	22	22		
PNV4-N1/4	PNV4A-N1/4	外螺纹 NPT1/4	Male NPT	23	23		
PNV4-R1/8	PNV4A-R1/8	外螺纹 R1/8	Male BSPT	22	22		
PNV4-R1/4	PNV4A-R1/4	外螺纹 R1/4	Male BSPT	23	23		
PNV4-FN1/8	PNV4A-FN1/8	内螺纹 NPT1/8	Female NPT	22	22		
PNV4-FN1/4	PNV4A-FN1/4	内螺纹 NPT1/4	Female NPT	23	23		
PNV4-N1/4-CO6	PNV4A-N1/4-CO6	外螺纹 NPT1/4 Male NPT	压环式6mm Compression type	23	29.5		
PNV4-N1/4-CO8	PNV4A-N1/4-CO8	外螺纹 NPT1/4 Male NPT	压环式8mm Compression type	23	29.5		
PNV4-N1/4-CO10	PNV4A-N1/4-CO10	外螺纹 NPT1/4 Male NPT	压环式10mm Compression type	23	31.2		
PNV4-FN1/4-CO6	PNV4A-FN1/4-CO6	内螺纹 NPT1/4 Female NPT	压环式6mm Compression type	23	29.5		
PNV4-N1/8-FN1/8	PNV4A-N1/8-FN1/8	外螺纹 NPT1/8 Male NPT	内螺纹 NPT1/4 Female NPT	22	22		
PNV4-N1/4-FN1/4	PNV4A-N1/4-FN1/4	外螺纹 NPT1/4 Male NPT	内螺纹 NPT1/4 Female NPT	23	23		

尺寸(铜管、尼龙管) Dimensions(copper and nylon tube)

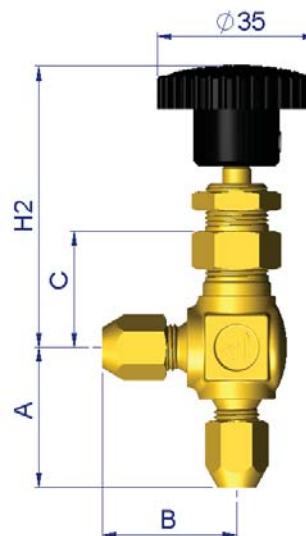
尺寸仅供参考, 可能变动。

Dimensions are for reference only and are subject to change.



直通阀 PNV4-P-CO6 Straight pattern

盘装孔尺寸: 14.5mm
 最大板厚: 6mm
 Panel hole: 14.5mm
 Max. thickness of board: 6mm



角式阀 PNV4A-P-N1/4-CO6 Angle pattern

规格尺寸表 Table of model and dimensions

基本型号 Basic Model		接口型式/尺寸 Connection type/size		尺寸 Size (mm)				
直型 Straight	角式 Angle	进口inlet	出口outlet	A	B	C	H1	H2
PNV4-P-CO6	PNV4A-P-CO6	压环式 6mm	Compression type	29.5	29.5	24.5	Min: 59.6 Max: 64.8	Min: 59.6 Max: 68.2
PNV4-P-CO8	PNV4A-P-CO8	压环式 8mm	Compression type	29.5	29.5			
PNV4-P-CO10	PNV4A-P-CO10	压环式 10mm	Compression type	31.2	31.2			
PNV4-P-N1/8	PNV4A-P-N1/8	外螺纹 NPT1/8	Male NPT	22	22			
PNV4-P-N1/4	PNV4A-P-N1/4	外螺纹 NPT1/4	Male NPT	23	23			
PNV4-P-R1/8	PNV4A-P-R1/8	外螺纹 R1/8	Male BSPT	22	22			
PNV4-P-R1/4	PNV4A-P-R1/4	外螺纹 R1/4	Male BSPT	23	23			
PNV4-P-FN1/8	PNV4A-P-FN1/8	内螺纹 NPT1/8	Female NPT	22	22			
PNV4-P-FN1/4	PNV4A-P-FN1/4	内螺纹 NPT1/4	Female NPT	23	23			
PNV4-P-N1/4-CO6	PNV4A-P-N1/4-CO6	外螺纹 NPT1/4 Male NPT	压环式 6mm Compression type	23	29.5			
PNV4-P-N1/4-CO8	PNV4A-P-N1/4-CO8	外螺纹 NPT1/4 Male NPT	压环式 8mm Compression type	23	29.5			
PNV4-P-N1/4-CO10	PNV4A-P-N1/4-CO10	外螺纹 NPT1/4 Male NPT	压环式 10mm Compression type	23	31.2			
PNV4-P-FN1/4-CO6	PNV4A-P-FN1/4-CO6	内螺纹 NPT1/4 Female NPT	压环式 6mm Compression type	23	29.5			
PNV4-P-N1/4-FN1/4	PNV4A-P-N1/4-FN1/4	外螺纹 NPT1/4 Male NPT	内螺纹 NPT1/4 Female NPT	23	23			

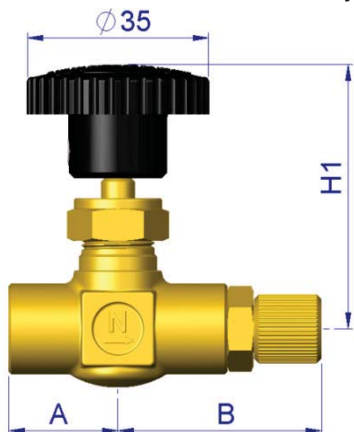
PNV系列气动管路针形阀

PNV Series Pneumatic Needle Valves

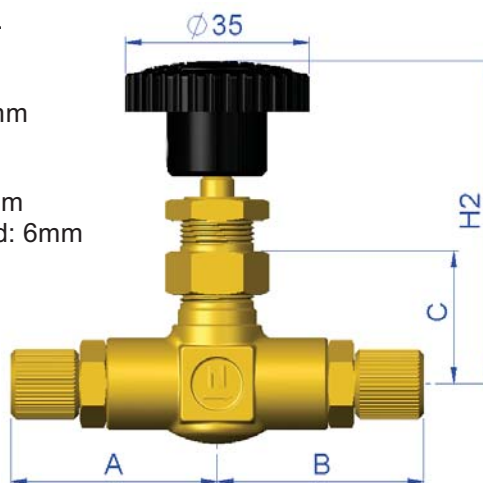
尺寸（直型接塑料管）Dimensions (straight pattern for plastic tube)

尺寸仅供参考，可能变动。

Dimensions are for reference only and are subject to change.



盘装孔尺寸: 14.5mm
最大板厚: 6mm
Panel hole: 14.5mm
Max. thickness of board: 6mm



直型阀 PNV4-FN1/4-PL6x1 Straight pattern

盘装直型阀 PNV4-P-PL6x1 Panel mounting straight

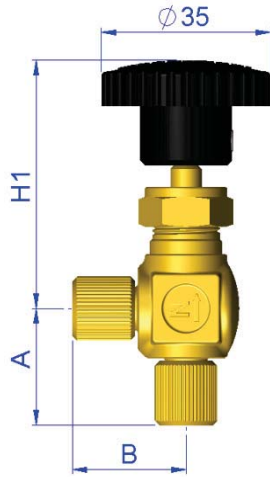
规格尺寸表 Table of model and dimensions

基本型号 Basic model		接口型式/尺寸 Connection type/size		尺寸 Size (mm)				
直型 Straight	直型盘装 Straight panel mouting	进口 Inlet	出口 Outlet	A	B	C	H1	H2
PNV4-PL6x1	PNV4-P-PL6x1	塑料管 6x1 Plastic tube		39.0	39.0	24.5	Min: 49.6 Max: 55	Min: 59.6 Max: 64.8
PNV4-PL8x1	PNV4-P-PL8x1	塑料管 8x1 Plastic tube		39.0	39.0			
PNV4-PL10x1	PNV4-P-PL10x1	塑料管 10x1 Plastic tube		40.0	40.0			
PNV4-PL10x1.25	PNV4-P-PL10x1.25	塑料管 10x1.25 Plastic tube		40.0	40.0			
PNV4-N1/4-PL6x1	PNV4-P-N1/4-PL6x1	外螺纹 NPT1/4 Male NPT	塑料管 6x1 Plastic tube	23.0	39.0			
PNV4-N1/4-PL8x1	PNV4-P-N1/4-PL8x1	外螺纹 NPT1/4 Male NPT	塑料管 8x1 Plastic tube	23.0	39.0			
PNV4-N1/4-PL10x1	PNV4-P-N1/4-PL10x1	外螺纹 NPT1/4 Male NPT	塑料管 10x1 Plastic tube	23.0	40.0			
PNV4-R1/4-PL6x1	PNV4-P-R1/4-PL6x1	外螺纹 R1/4 Male BSPT	塑料管 6x1 Plastic tube	23.0	39.0			
PNV4-R1/4-PL8x1	PNV4-P-R1/4-PL8x1	外螺纹 R1/4 Male BSPT	塑料管 8x1 Plastic tube	23.0	39.0			
PNV4-R1/4-PL10x1	PNV4-P-R1/4-PL10x1	外螺纹 R1/4 Male BSPT	塑料管 10x1 Plastic tube	23.0	40.0			
PNV4-FN1/4-PL6x1	PNV4-P-FN1/4-PL6x1	内螺纹 NPT1/4 Female NPT	塑料管 6x1 Plastic tube	23.0	39.0			
PNV4-FN1/4-PL10x1	PNV4-P-FN1/4-PL10x1	内螺纹 NPT1/4 Female NPT	塑料管 10x1 Plastic tube	23.0	40.0			
PNV4-Rp1/4-PL6x1	PNV4-P-Rp1/4-PL6x1	内螺纹 Rc1/4 Female BSPT	塑料管 6x1 Plastic tube	23.0	39.0			
PNV4-Rp1/4-PL8x1	PNV4-P-Rp1/4-PL8x1	内螺纹 Rc1/4 Female BSPT	塑料管 8x1 Plastic tube	23.0	39.0			

尺寸（角式接塑料管） Dimensions (Angle pattern for plastic tube)

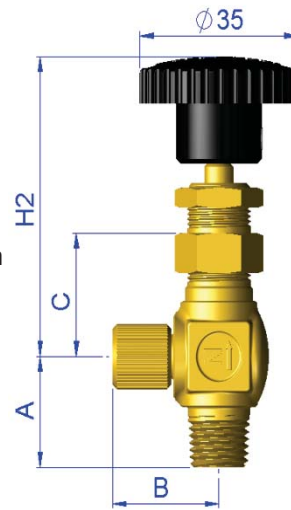
尺寸仅供参考，可能变动。

Dimensions are for reference only and are subject to change.



角式阀 PNV4A-PL6x1 Angle pattern

盘装孔尺寸: 14.5mm
 最大板厚: 6mm
 Panel hole: 14.5mm
 Max. thickness of board: 6mm



盘装角式阀 PNV4A-P-N1/4-PL6x1
 Panel mounting angle pattern

规格尺寸表 Table of model and dimensions

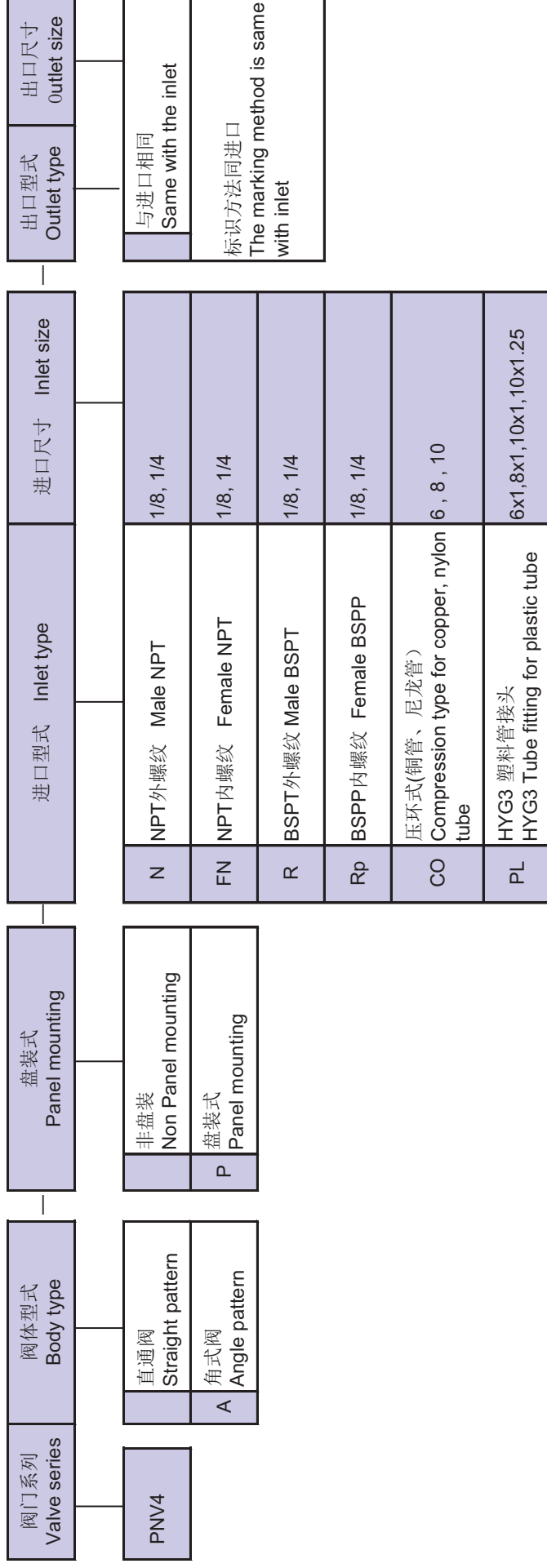
基本型号 Basic model		接口型式/尺寸 Connection type/size		尺寸 Size (mm)				
角式阀 Angle pattern	角式盘装 Angle pattern for panel mounting	进口 Inlet	出口 Outlet	A	B	C	H1	H2
PNV4A-PL6x1	PNV4A-P-PL6x1	塑料管 6x1	Plastic tube	23.5	23.5	24.5	Min: 49.6 Max: 58.2	Min: 59.6 Max: 68.2
PNV4A-PL8x1	PNV4A-P-PL8x1	塑料管 8x1	Plastic tube	23.5	23.5			
PNV4A-PL10x1	PNV4A-P-PL10x1	塑料管 10x1	Plastic tube	24.0	24.0			
PNV4A-PL10x1.25	PNV4A-P-PL10x1.25	塑料管 10x1.25	Plastic tube	24.0	24.0			
PNV4A-N1/4-PL6x1	PNV4A-P-N1/4-PL6x1	外螺纹 NPT1/4 Male NPT	塑料管 6x1 Plastic tube	23.0	23.5			
PNV4A-N1/4-PL8x1	PNV4A-P-N1/4-PL8x1	外螺纹 NPT1/4 Male NPT	塑料管 8x1 Plastic tube	23.0	23.5			
PNV4A-N1/4-PL10x1	PNV4A-P-N1/4-PL10x1	外螺纹 NPT1/4 Male NPT	塑料管 10x1 Plastic tube	23.0	24.0			
PNV4A-R1/4-PL6x1	PNV4A-P-R1/4-PL6x1	外螺纹 R1/4 Male BSPT	塑料管 6x1 Plastic tube	23.0	23.5			
PNV4A-R1/4-PL8x1	PNV4A-P-R1/4-PL8x1	外螺纹 R1/4 Male BSPT	塑料管 8x1 Plastic tube	23.0	23.5			
PNV4A-FN1/4-PL6x1	PNV4A-P-FN1/4-PL6x1	内螺纹 NPT1/4 Female NPT	塑料管 6x1 Plastic tube	23.0	23.5			
PNV4A-FN1/4-PL8x1	PNV4A-P-FN1/4-PL8x1	内螺纹 NPT1/4 Female NPT	塑料管 8x1 Plastic tube	23.0	23.5			
PNV4A-Rc1/4-PL6x1	PNV4A-P-Rc1/4-PL6x1	内螺纹 Rc1/4 Female BSPT	塑料管 6x1 Plastic tube	23.0	23.5			
PNV4A-Rc1/4-PL8x1	PNV4A-P-Rc1/4-PL8x1	内螺纹 Rc1/4 Female BSPT	塑料管 8x1 Plastic tube	23.0	23.5			

PNV系列气动管路针形阀

PNV Series Pneumatic Needle Valves



订购须知 Ordering information



型号举例说明: For example

PNV4-P-CO6

PNV4: 气动管路针形阀PNV4系列, 直通型式

PNV4: PNV4 series pneumatic needle valves, straight pattern

P: 盘装型式

P: Panel mounting

CO6: 进口型式为压环式, 尺寸6mm

CO6: Inlet is compression type with the size of 6mm

出口型式和尺寸与进口相同

Outlet type and size is same with inlet

镇江市华阳机电制造有限公司

电话:0511-88431885 传真:0511-88431333

E-mail:huayang@vip.163.com